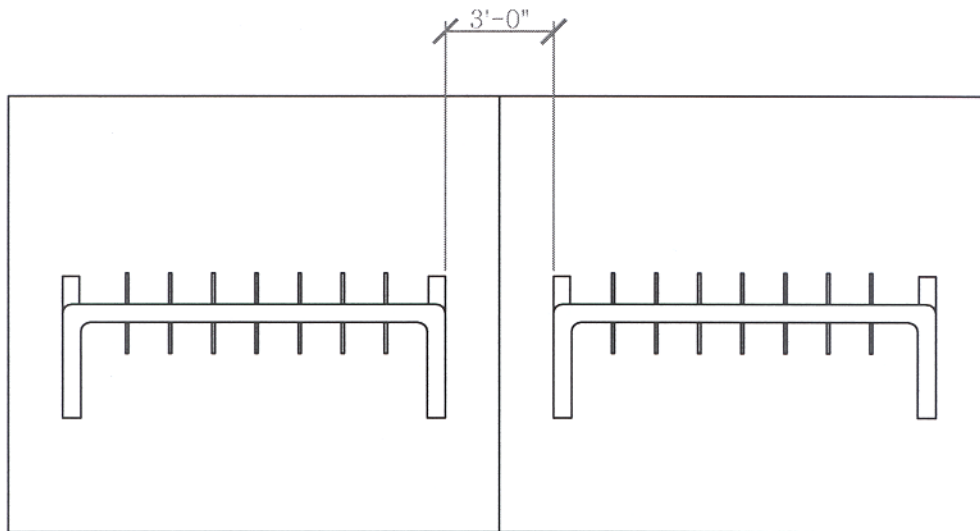


PLAN



SPACING PLAN, TWO UNIT

DRAWN BY: TA BICYCLE RACK PAD & CORA W7510 INSTALLATION

CHECKED BY: GR

PROJ #:

DATE: 10/28/2000

DWG. # SK-3A

THE STATE UNIVERSITY OF NEW JERSEY
RUTGERS
 UNIVERSITY PLANNING AND DEVELOPMENT
 PISCATAWAY, NEW JERSEY

SK-3A